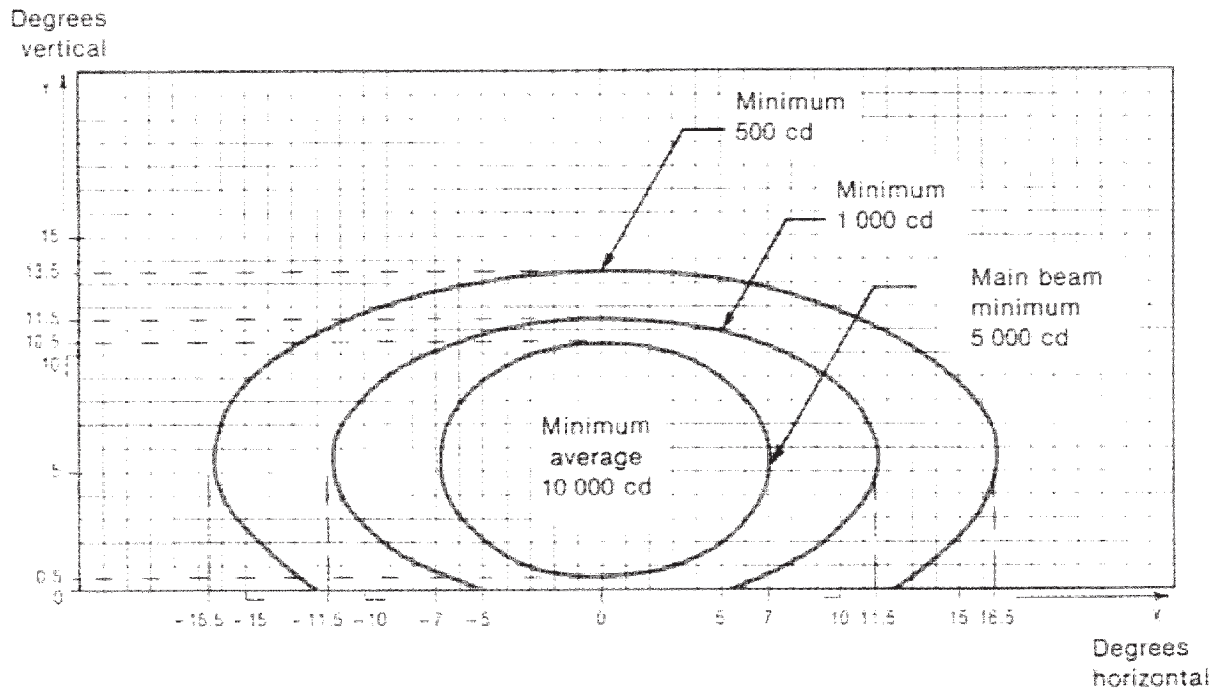


Anlage 6



Notes:

1. Curves calculated on formula $\frac{x^2}{a^2} + \frac{y^2}{b^2} = 1$
2. Toe-in 2 degrees
3. See collective notes for Figures 2.1 to 2.11.

a	7.0	11.5	16.5
b	5.0	6.0	8.0

Figure 2.4 Isocandela diagram for threshold wing bar light (green light)